

Overload relay 50...200 A for motor protection size S6, CLASS 10E
 Contactor/standalone mounting Main circuit: s-t transform. Aux.
 circuit: screw term. Manual/Auto RESET



product brandname	SIRIUS
Product designation	solid-state overload relay
General technical data	
Size of overload relay	S6
Size of contactor can be combined company-specific	S6
Insulation voltage with degree of pollution 3 rated value	1 000 V
Surge voltage resistance rated value	8 kV
maximum permissible voltage for safe isolation	
<ul style="list-style-type: none"> • in networks with grounded star point between auxiliary and auxiliary circuit 	300 V
<ul style="list-style-type: none"> • in networks with grounded star point between auxiliary and auxiliary circuit 	300 V
<ul style="list-style-type: none"> • in networks with grounded star point between main and auxiliary circuit 	600 V
<ul style="list-style-type: none"> • in networks with grounded star point between main and auxiliary circuit 	690 V
Protection class IP	
<ul style="list-style-type: none"> • on the front 	IP20

• of the terminal	IP20
Vibration resistance	1-6 Hz, 15 mm; 6-500 Hz, 20 m/s ² ; 10 cycles
Thermal current	200 A
Recovery time	
• after overload trip with automatic reset typical	3 min
• after overload trip with remote-reset	0 min
• after overload trip with manual reset	0 min
Type of protection	II (2) G [Ex e] [Ex d] [Ex px] II (2) D [Ex t] [Ex p]
Protection against electrical shock	finger-safe
Equipment marking acc. to DIN EN 81346-2	F

Ambient conditions

Ambient temperature	
• during operation	-25 ... +60 °C
• during storage	-40 ... +80 °C
• during transport	-40 ... +80 °C
Temperature compensation	60 ... -25 °C

Main circuit

Number of poles for main current circuit	3
Adjustable pick-up value current of the current-dependent overload release	50 ... 200 A
Operating voltage	
• rated value	1 000 V
• at AC-3 rated value maximum	1 000 V
Operating frequency rated value	50 ... 60 Hz
Operating current rated value	200 A

Auxiliary circuit

Design of the auxiliary switch	integrated
Number of NC contacts	
• for auxiliary contacts	1
— Note	for contactor disconnection
Number of NO contacts	
• for auxiliary contacts	1
— Note	for message "tripped"
Number of CO contacts	
• for auxiliary contacts	0
Operating current of auxiliary contacts at AC-15	
• at 24 V	4 A
• at 110 V	4 A
• at 120 V	4 A
• at 125 V	4 A
• at 230 V	3 A

Operating current of auxiliary contacts at DC-13	
• at 24 V	2 A
• at 60 V	0.55 A
• at 110 V	0.3 A
• at 125 V	0.3 A
• at 220 V	0.11 A

Protective and monitoring functions	
Trip class	CLASS 10E
Design of the overload release	electronic

UL/CSA ratings	
Full-load current (FLA) for three-phase AC motor	
• at 480 V rated value	200 A
• at 600 V rated value	200 A
Contact rating of auxiliary contacts according to UL	B600 / R300

Short-circuit protection	
Design of the fuse link	
• for short-circuit protection of the main circuit	
— with type of coordination 1 required	gG: 355 A, Class L: 601 A
— with type of assignment 2 required	gG: 315 A
• for short-circuit protection of the auxiliary switch required	fuse gG: 6 A

Installation/ mounting/ dimensions	
Mounting position	any
Mounting type	direct mounting / stand-alone installation
Height	119 mm
Width	120 mm
Depth	155 mm
Required spacing	
• with side-by-side mounting	
— forwards	0 mm
— Backwards	0 mm
— upwards	0 mm
— downwards	0 mm
— at the side	0 mm
• for grounded parts	
— forwards	0 mm
— Backwards	0 mm
— upwards	0 mm
— at the side	6 mm
— downwards	0 mm

• for live parts	
— forwards	0 mm
— Backwards	0 mm
— upwards	0 mm
— downwards	0 mm
— at the side	6 mm

Connections/Terminals

Product function	
• removable terminal for auxiliary and control circuit	Yes
Type of electrical connection	
• for main current circuit	straight-through transformers
• for auxiliary and control current circuit	screw-type terminals
Arrangement of electrical connectors for main current circuit	Top and bottom
Type of connectable conductor cross-sections	
• for auxiliary contacts	
— solid	1x (0.5 ... 4 mm ²), 2x (0.5 ... 2.5 mm ²)
— single or multi-stranded	1x (0,5 ... 4 mm ²), 2x (0,5 ... 2,5 mm ²)
— finely stranded with core end processing	1x (0.5 ... 2.5 mm ²), 2x (0.5 ... 1.5 mm ²)
• at AWG conductors for auxiliary contacts	2x (20 ... 14)
Tightening torque	
• for auxiliary contacts with screw-type terminals	0.8 ... 1.2 N·m

Communication/ Protocol

Type of voltage supply via input/output link master	No
--	----

Electromagnetic compatibility

Field-bound parasitic coupling acc. to IEC 61000-4-3	10 V/m
Electrostatic discharge acc. to IEC 61000-4-2	6 kV contact discharge / 8 kV air discharge

Display

Display version	
• for switching status	Slide switch

Certificates/approvals

General Product Approval	EMC	For use in hazardous locations
--------------------------	-----	--------------------------------



Declaration of Conformity	Test Certificates	Shipping Approval
---------------------------	-------------------	-------------------



[spezielle Prüfbescheinigungen](#)

[Typprüfbescheinigung/Werkszeugnis](#)



other

[sonstig](#)

[Umweltbestätigung](#)

[Bestätigungen](#)

Further information

Information- and Downloadcenter (Catalogs, Brochures,...)

<http://www.siemens.com/industrial-controls/catalogs>

Industry Mall (Online ordering system)

<https://mall.industry.siemens.com/mall/en/en/Catalog/product?mlfb=3RB2056-1FW2>

Cax online generator

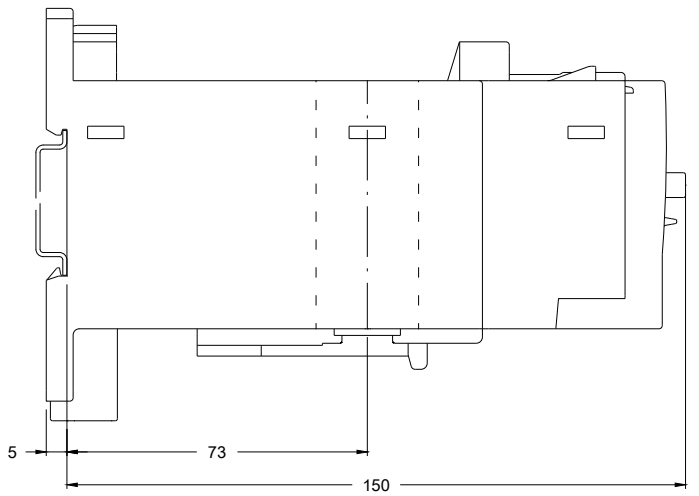
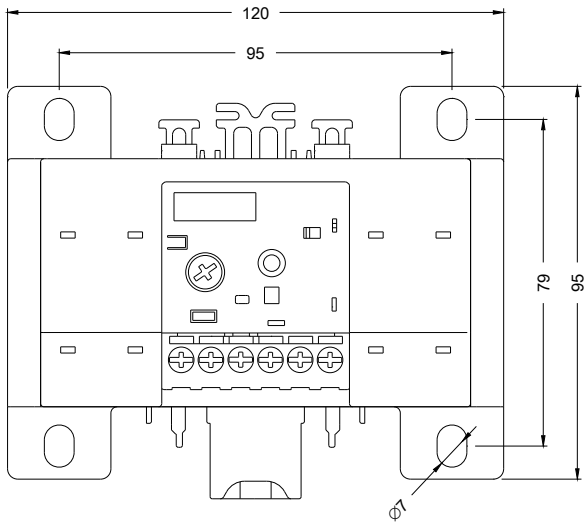
<http://support.automation.siemens.com/WW/CAXorder/default.aspx?lang=en&mlfb=3RB2056-1FW2>

Service&Support (Manuals, Certificates, Characteristics, FAQs,...)

<https://support.industry.siemens.com/cs/ww/en/ps/3RB2056-1FW2>

Image database (product images, 2D dimension drawings, 3D models, device circuit diagrams, EPLAN macros, ...)

http://www.automation.siemens.com/bilddb/cax_de.aspx?mlfb=3RB2056-1FW2&lang=en



last modified:

04/24/2017