

M8 COUPLING WITH CONNECTING CABLE 5M LONG, FOR M8 CONNECTOR 4-POLE, FOR 3SE66



Figure similar

General technical data:

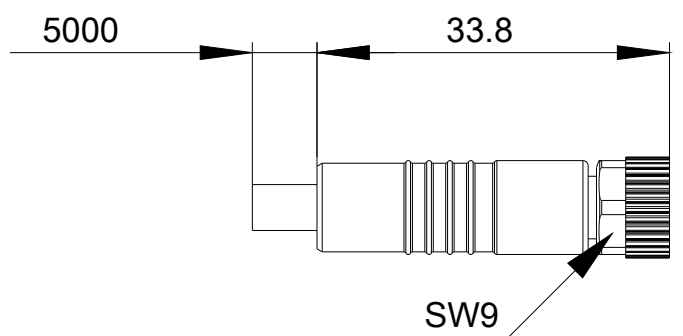
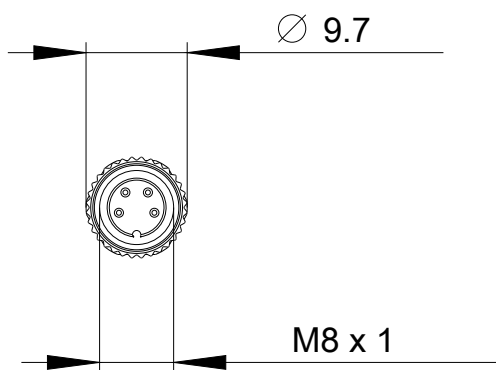
product brandname	SIRIUS
Product designation	Coupling, M8 socket, for 3SE66
Operating current at 40 °C rated value	4 A
Operating voltage rated value	30 V
Number of poles	4
Wire length of connecting cable	5 m
Ambient temperature during operation	-25 ... +85 °C
Type of electrical connection	connector M8
Overvoltage category	2
Degree of pollution	3
Protection class IP	IP67
Material	
• of the contact	CuSn
• of contact coating	Au

Certificates/ approvals:

[Bestätigungen](#)

Further information

Information- and Downloadcenter (Catalogs, Brochures,...)<http://www.siemens.com/industrial-controls/catalogs>**Industry Mall (Online ordering system)**<http://www.siemens.com/industrymall>**Cax online generator**<http://support.automation.siemens.com/WW/CAXorder/default.aspx?lang=en&mfb=3SX5601-3GA05>**Service&Support (Manuals, Certificates, Characteristics, FAQs,...)**<https://support.industry.siemens.com/cs/ww/en/ps/3SX5601-3GA05>**Image database (product images, 2D dimension drawings, 3D models, device circuit diagrams, EPLAN macros, ...)**http://www.automation.siemens.com/bilddb/cax_de.aspx?mfb=3SX5601-3GA05&lang=en



last modified:

04/19/2017