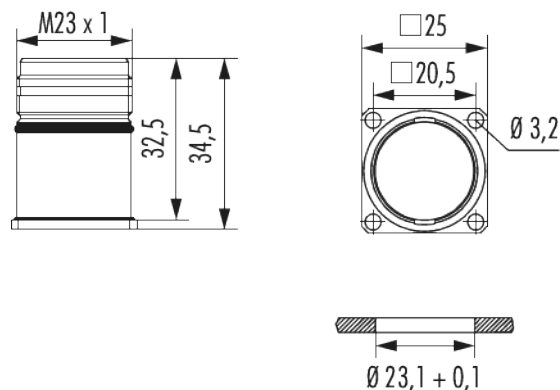


# Housing panel connector M23 Power rear wall

Item number 766100000



## Technical data

<b>Material housing</b>	Copper-Zinc alloy
<b>Material housing surface</b>	Nickel
<b>Installation type</b>	Rear wall
<b>Version</b>	Screw , TWILOCK
<b>External thread plug-in side</b>	M23 x 1
<b>Locking type</b>	Screw
<b>Shield</b>	unshielded
<b>Material seals/o-rings</b>	NBR
<b>Panel hole</b>	Ø 23,1 + 0,1 mm
<b>Flange</b>	25 x 25 mm
<b>Hole distance</b>	20.5 mm
<b>Hole diameter</b>	4 x Ø 3,2 mm
<b>Protection class</b>	IP 67 , IP 69 K
<b>Temperature range</b>	-40°C to +125°C



# Housing panel connector M23 Power rear wall

Item number 766100000

## suitable contact inserts

7084909101 , 7084909102 , 7084910101 , 7084910102 ,  
7084942101 , 7084942102 , 7084943121 , 7084943122 ,  
7084944101 , 7084944102 , 7084946101 , 7084946102 ,  
7084951121 , 7084951122 , 7084953101 , 7084953102



# Housing panel connector M23 Power rear wall

Item number 766100000

## Commercial data

<b>Packaging Unit</b>	25
<b>EAN code</b>	4033878504215
<b>Weight</b>	0.02131 kg
<b>ETIM 7</b>	EC003556
<b>ETIM 8</b>	EC003556
<b>ETIM 9</b>	EC003556
<b>eCl@ss 10.1</b>	27440224
<b>Customs tariff number</b>	85366990

Note:

