

side wall mounted rot. operator EMERGENCY OFF IEC IP65 accessory for: 3VA12



Model				
product brand name	SENTRON			
product designation	side wall-mounted rotary operator			
accessories	Side panel rotary operating mechanism			
General technical data				
protection class IP	IP65			
Mechanical Design				
height	75 mm			
Net Weight	683 g			
Certificates				
General Product Approval	EMV	Maritime application	other	Environment

[Miscellaneous](#)



[Miscellaneous](#)

[Environmental Con-
firmations](#)

Further information

Information on the packaging

<https://support.industry.siemens.com/cs/ww/en/view/109813875>

Information for data generation and storage

<https://support.industry.siemens.com/cs/ww/en/view/109995012>

Information- and Downloadcenter (Catalogs, Brochures,...)

<https://www.siemens.com/lowvoltage/catalogs>

Industry Mall (Online ordering system)

<https://mall.industry.siemens.com/mall/en/en/Catalog/product?mlfb=3VA9257-0PK15>

Service&Support (Manuals, Certificates, Characteristics, FAQs,...)

<https://support.industry.siemens.com/cs/ww/en/ps/3VA9257-0PK15>

Image database (product images, 2D dimension drawings, 3D models, device circuit diagrams, ...)

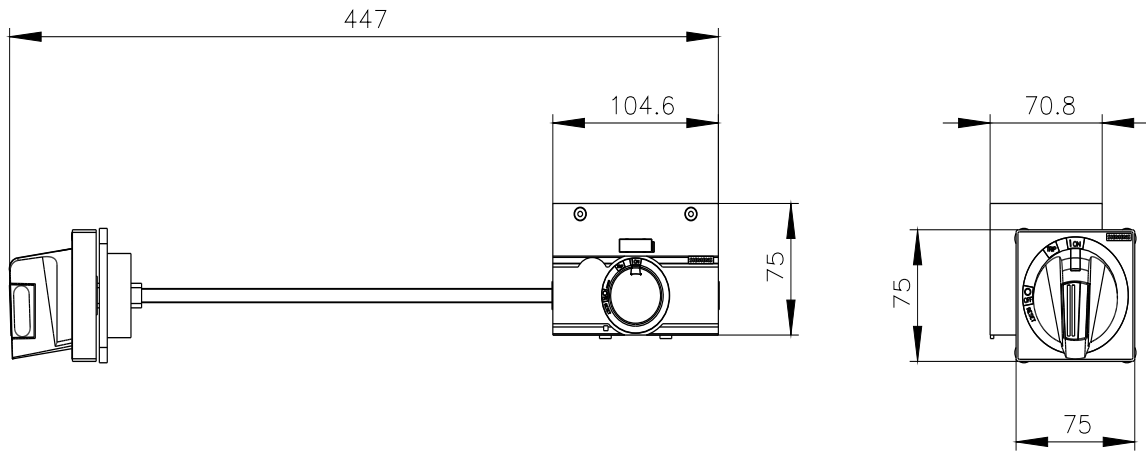
https://www.automation.siemens.com/bilddb/cax_en.aspx?mlfb=3VA9257-0PK15

CAX-Online-Generator

<https://www.siemens.com/cax>

Tender specifications

<https://www.siemens.com/specifications>



last modified:

4/3/2025 

