

Support terminal, green/yellow, spring-type terminal, for floor mounting

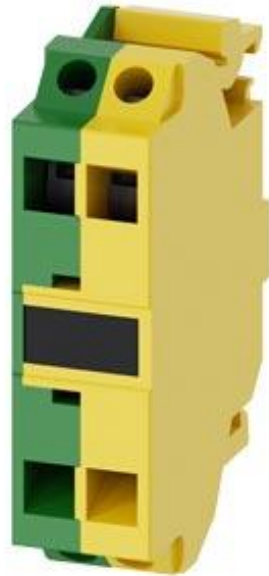


Figure similar

Product brand name	SIRIUS ACT
Product designation	Support terminal
Product type designation	3SU1

General technical data	
Suitability for integration	yes
Degree of pollution	3
Surge voltage resistance rated value	6 kV
Protection class IP	
• of the enclosure	IP40
• of the terminal	IP20

Connections/Terminals	
Type of electrical connection	spring-loaded terminals
• of modules and accessories	Spring-type terminal

Ambient conditions	
Ambient temperature	
• during operation	-25 ... +70 °C




- during storage

-40 ... +80 °C

### Installation/ mounting/ dimensions

<b>Mounting type</b>	
<ul style="list-style-type: none"> <li>• of modules and accessories</li> </ul>	Floor mounting
<b>Height</b>	36 mm
<b>Width</b>	9.8 mm
<b>Depth</b>	33.6 mm

### Certificates/approvals

General Product Approval	Declaration of Conformity	Test Certificates		other
 UL		 EG-Konf.	<a href="#">Declaration of the Compliance with the order</a>	<a href="#">Special Test Certificate</a>
				<a href="#">Confirmation</a>

### Further information

**Information- and Downloadcenter (Catalogs, Brochures,...)**

<http://www.siemens.com/industrial-controls/catalogs>

**Industry Mall (Online ordering system)**

<https://mall.industry.siemens.com/mall/en/en/Catalog/product?mfb=3SU1400-2DA43-3AA0>

**Cax online generator**

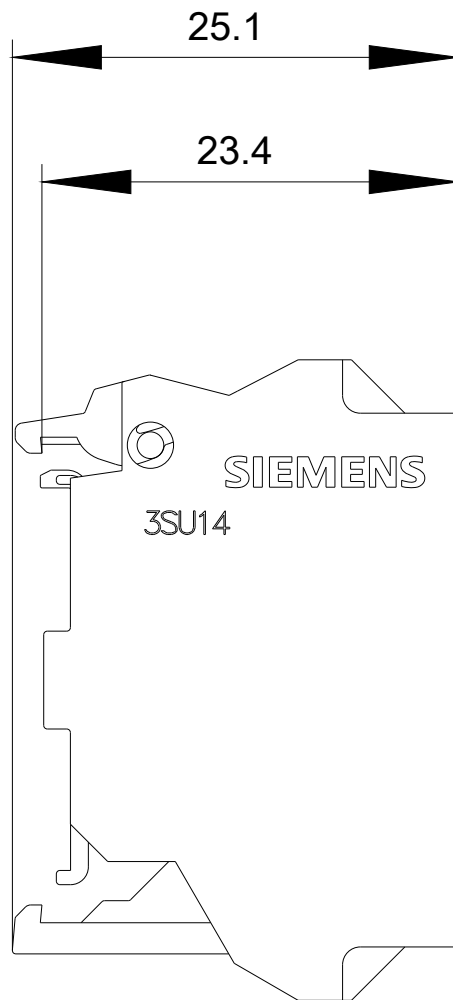
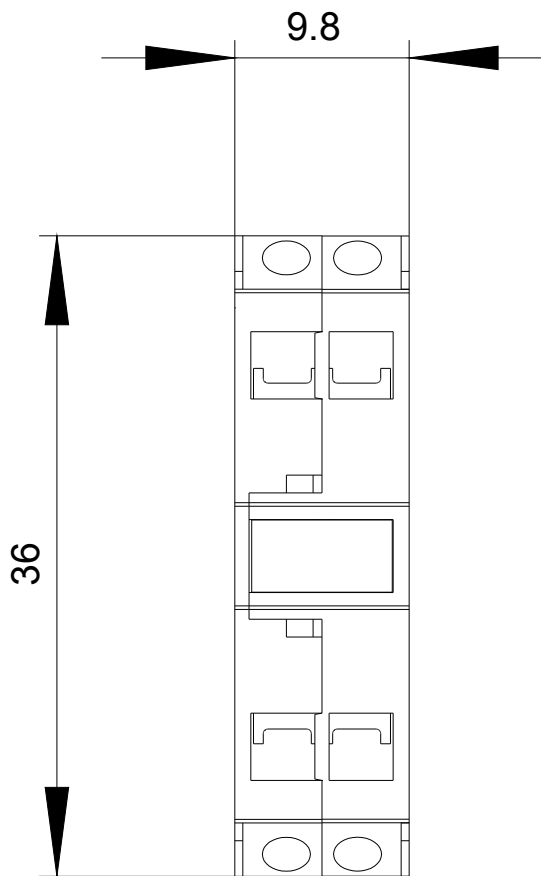
<http://support.automation.siemens.com/WW/CAXorder/default.aspx?lang=en&mfb=3SU1400-2DA43-3AA0>

**Service&Support (Manuals, Certificates, Characteristics, FAQs,...)**

<https://support.industry.siemens.com/cs/ww/en/ps/3SU1400-2DA43-3AA0>

**Image database (product images, 2D dimension drawings, 3D models, device circuit diagrams, EPLAN macros, ...)**

[http://www.automation.siemens.com/bilddb/cax\\_de.aspx?mfb=3SU1400-2DA43-3AA0&lang=en](http://www.automation.siemens.com/bilddb/cax_de.aspx?mfb=3SU1400-2DA43-3AA0&lang=en)



last modified:

01/03/2018