

FOOT -OPERATED BUTTON, SINGLE PEDA L(WITHOUT LATCHING), CABLE ENTRY 1X(M20X1,5) METAL CASING IP65, 1 NO + 1 NC WITHOUT PROTECTIVE COVER



Figure similar

<b>Product designation</b>	momentary-contact foot switch
<b>General technical data</b>	
<b>Protection class IP</b>	IP65
<b>Equipment marking</b>	
• acc. to DIN EN 61346-2	S
• acc. to DIN EN 81346-2	S
<b>Number of switching steps</b>	1
<b>Number of the actuation pedals</b>	1
<b>Operating current at AC-15</b>	
• at 230 V rated value	16 A
• at 400 V rated value	16 A
<b>Operating current at DC-13</b>	
• at 24 V rated value	3 A
<b>Enclosure</b>	
<b>Material of the enclosure</b>	metal
<b>Color</b>	
• of the enclosure	black

- of top part of the enclosure

grey

### Safety related data

<b>B10 value</b>	
<ul style="list-style-type: none"> <li>• with high demand rate acc. to SN 31920</li> </ul>	1 000 000
<b>Proportion of dangerous failures</b>	
<ul style="list-style-type: none"> <li>• with low demand rate acc. to SN 31920</li> </ul>	50 %
<ul style="list-style-type: none"> <li>• with high demand rate acc. to SN 31920</li> </ul>	50 %
<b>Failure rate [FIT]</b>	
<ul style="list-style-type: none"> <li>• with low demand rate acc. to SN 31920</li> </ul>	100 FIT
<b>T1 value for proof test interval or service life acc. to IEC 61508</b>	20 y

### Mechanical data

<b>Cable entry type</b>	M20 x 1.5
-------------------------	-----------







### Ambient conditions



<b>Ambient temperature</b>	
<ul style="list-style-type: none"> <li>• during operation</li> </ul>	-25 ... +80 °C

### Installation/ mounting/ dimensions

<b>Mounting type</b>	screw fixing
<b>Height</b>	220 mm
<b>Width</b>	70 mm
<b>Depth</b>	61 mm

### Certificates/approvals

General Product Approval	Declaration of Conformity	Shipping Approval
 CCC	 EG-Konf.	 ABS
 CSA		 LRS

Shipping Approval	other
 PRS	 RINA
	<a href="#">Miscellaneous</a>
	<a href="#">Confirmation</a>

### Further information

**Information- and Downloadcenter (Catalogs, Brochures,...)**  
<http://www.siemens.com/industrial-controls/catalogs>

**Industry Mall (Online ordering system)**  
<https://mall.industry.siemens.com/mall/en/en/Catalog/product?mlfb=3SE2902-0AB20>

**Cax online generator**

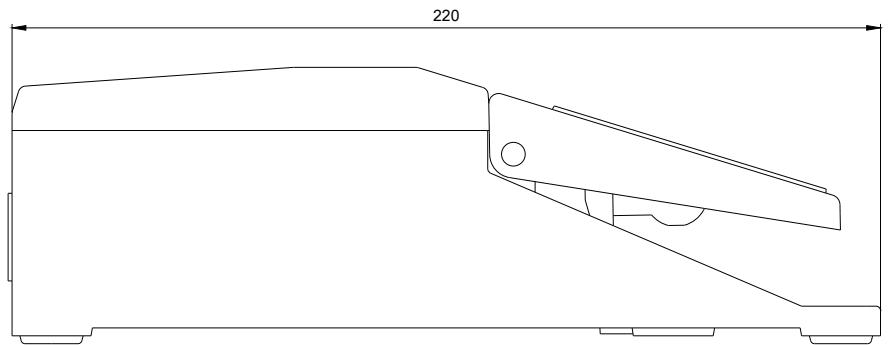
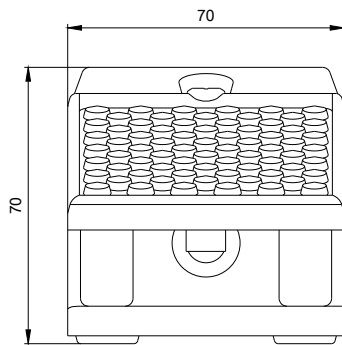
<http://support.automation.siemens.com/WW/CAXorder/default.aspx?lang=en&mlfb=3SE2902-0AB20>

**Service&Support (Manuals, Certificates, Characteristics, FAQs,...)**

<https://support.industry.siemens.com/cs/ww/en/ps/3SE2902-0AB20>

**Image database (product images, 2D dimension drawings, 3D models, device circuit diagrams, EPLAN macros, ...)**

[http://www.automation.siemens.com/bilddb/cax\\_de.aspx?mlfb=3SE2902-0AB20&lang=en](http://www.automation.siemens.com/bilddb/cax_de.aspx?mlfb=3SE2902-0AB20&lang=en)



last modified:

09/25/2017